

MOSFET Applications

LED Lighting



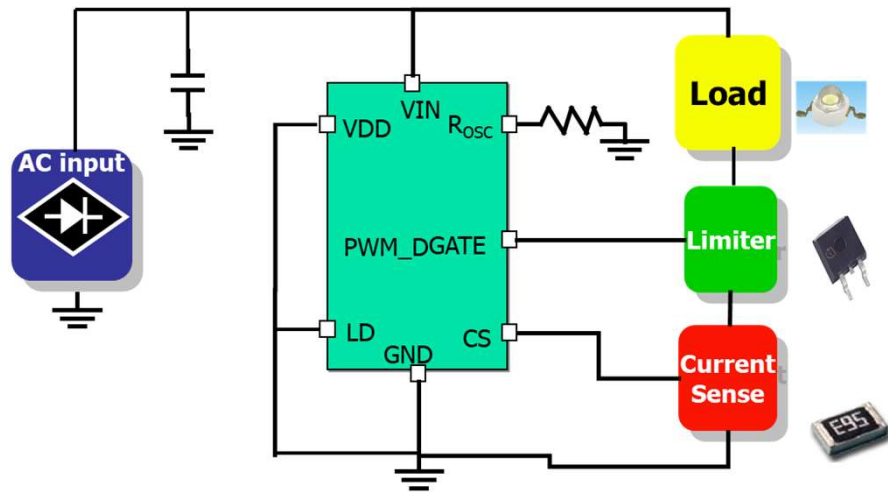
Key features and benefits

- Good switching performance with lower losses.
- Greater V_{ds} of MOSFET.
- Small size and better reliability for high luminance and Watt.
- Stronger thermal protected.
- Lower $R_{DS(on)}$ and higher efficiency.
- Fulfilling EMI standards.
- Non-isolated and Isolated topologies.

MOSFET Applications

LED Lighting

Products Selection



	Voltage(V)	Package	PN#	Rds(ON)(mΩ) Vgs@10V	Qg(nC)	
PFC	600	TO-220	CEP15N60SA	280	25	
			CEP22N60SF	130	39	
		TO-220F	CEF15N60SA	280	25	
			CEF22N60SF	130	39	
		TO-263	CEB15N60SA	280	25	
			CEB22N60SF	130	39	
	650	TO-247	CEW46N65S	56	100	
			TO-220	CEP20N65SA	180	42
				CEP13N65S	320	25
		TO-220F	CEP11N65S	420	19	
			CEF11N65S	420	19	
			CEF07N65SA	650	12	
			CEF20N65SA	180	42	
			CEF38N65SA	95	69	
		TO-263	CEF46N65S	56	100	
			CEB20N65SA	180	42	
		TO-252	CEB07N65SA	650	12	
			CEB11N65S	420	19	
CEU11N65S	420		19			
DFN8X8	CEU07N65SA	650	12			
	CEU13N65S	320	25			
TOLL	CECS20N65SA	180	42			
			CEL42N65SF	100	67	
DC-DC	600	TO-220	CEP15N60SA	280	25	
			CEP22N60SF	130	39	
		TO-220F	CEF15N60SA	280	25	
			CEF22N60SF	130	39	
		TO-263	CEB15N60SA	280	25	
			CEB22N60SF	130	39	
	650	TO-220	CEU15N60SA	280	25	
			CEP20N65SA	180	42	
			CEP13N65S	320	25	
		TO-220F	CEP11N65S	420	19	
			CEF11N65S	420	19	
			CEF07N65SA	650	12	
			CEF20N65SA	180	42	
			CEF38N65SA	95	69	
		TO-263	CEF46N65S	56	100	
			CEB20N65SA	180	42	
		TO-252	CEB07N65SA	650	12	
			CEB13N65S	320	25	
CEB11N65S	420		19			
DFN8X8	CEU11N65S	420	19			
	CEU07N65SA	650	12			
TOLL	CEU13N65S	320	25			
			CECS20N65SA	180	42	
			CEL42N65SF	100	67	